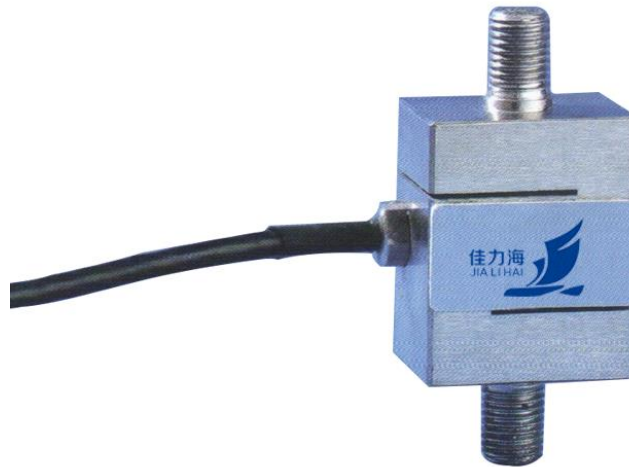


JL3

STEEL 钢制传感器

S 型拉压式钢制传感器，应用于配料秤、工业称重系统。

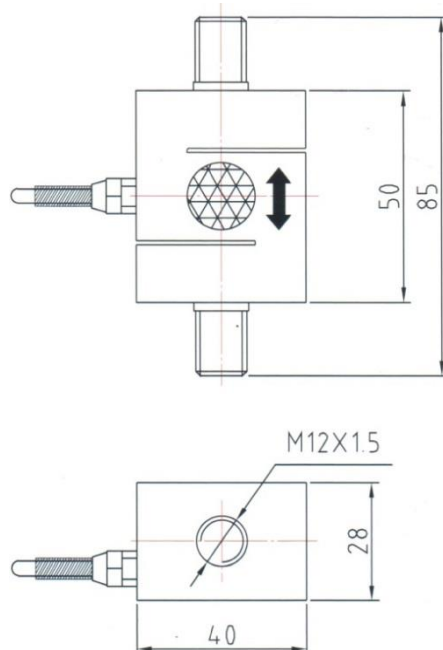
S-Type tension and compression load cell , tool steel construction , used for batching scales and industrial weighing systems



量程 CAPACITY (kg)

1000,1200,1600

外形尺寸 DIMENSIONS



技术参数 SPECIFICATIONS

输出灵敏度	Rated Output	$2.0 \pm 10\% \text{mv/v}$
零点输出	Zero Balance	$\pm 5\% \text{F. S.}$
非线性	Non-linearity	$0.03\% \text{F. S.}$
滞后	Hysteresis	$0.03\% \text{F. S.}$
重复性	Non-Repeatability	$0.03\% \text{F. S.}$
蠕变(30分钟)	Creep(30min)	$0.25\% \text{F. S.}$
温度灵敏度漂移	Temp. Effect On Output	$0.02\% \text{F. S.} / 10^\circ\text{C}$
零点温度漂移	Temp. Effect On Zero	$0.02\% \text{F. S.} / 10^\circ\text{C}$
输入电阻	Input Impedance	$385 \pm 15 \Omega$
输出电阻	Output impedance	$350 \pm 3 \Omega$
绝缘电阻	Insulation	$> 2000 \text{M}\Omega / 50 \text{VDC}$
使用电压	Recommended Excitation	10V
最大使用电压	Maximum excitation	15V
温度补偿范围	Compensated Temp. Range	$-10 \sim 40^\circ\text{C}$
工作温度范围	Operating Temp. Range	$-20 \sim 60$
安全过载	Safe Overload	$150\% \text{F. S.}$
极限超载	Ultimate Overload	$300\% \text{F. S.}$
电缆线尺寸	Cable Size	$\Phi 5 \times 3000 \text{mm}$
防护等级	Protection Class	IP65
接线方式 Wiring <div style="display: flex; justify-content: center; gap: 20px; margin-top: 10px;"> <div style="display: flex; align-items: center;"> ● +输入 Excitation </div> <div style="display: flex; align-items: center;"> ● -输入 Excitation </div> <div style="display: flex; align-items: center;"> ● +输出 Signal </div> <div style="display: flex; align-items: center;"> ● -输出 Signal </div> </div>		