

JLS

STEEL 钢制传感器

拉式合金钢制传感器

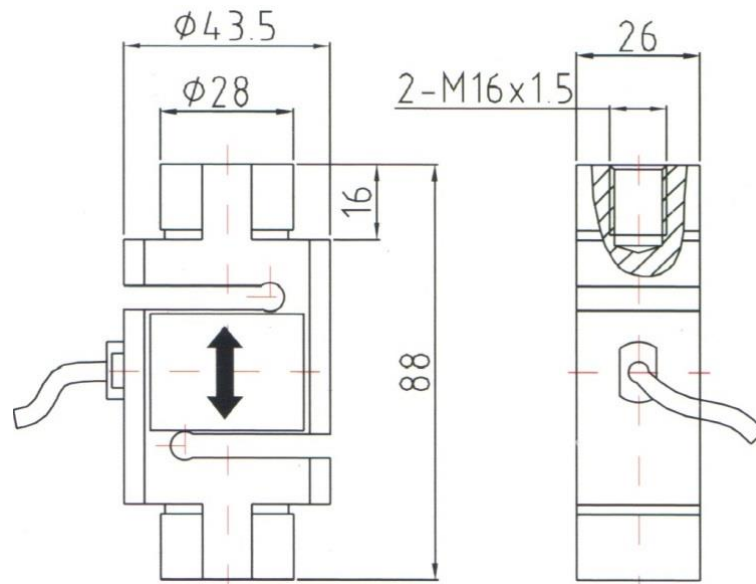
Tension load cell with alloy tool steel construction



量程 CAPACITY (kg)

100,200,300,500,1000

外形尺寸 DIMENSIONS



技术参数 SPECIFICATIONS

输出灵敏度	Rated Output	$2.0 \pm 1\% \text{mv/v}$
零点输出	Zero Balance	$\pm 1\% \text{F. S.}$
非线性	Non-linearity	$0.03\% \text{F. S.}$
滞后	Hysteresis	$0.03\% \text{F. S.}$
重复性	Non-Repeatability	$0.03\% \text{F. S.}$
蠕变(30 分钟)	Creep(30min)	$0.03\% \text{F. S.}$
温度灵敏度漂移	Temp.Effect On Output	$0.025\% \text{F. S.} / 10^\circ\text{C}$
零点温度漂移	Temp.Effect On Zero	$0.025\% \text{F. S.} / 10^\circ\text{C}$
输入电阻	Input Impedance	$385 \pm 15\Omega$
输出电阻	Output mpedance	$350 \pm 4\Omega$
绝缘电阻	Insulation	$>2000\text{M}\Omega / 50\text{VDC}$
使用电压	Recommended Excitation	10V
最大使用电压	Maximum xcitation	15V
温度补偿范围	Compensated TTemp. Range	$-10 \sim 40^\circ\text{C}$
工作温度范围	Opera ting Temp. Range	$-20 \sim 60^\circ\text{C}$
安全过载	Safe Overload	$150\% \text{F. S.}$
极限超载	Ultimate Overload	$300\% \text{F. S.}$
电缆线尺寸	Cable Size	$\Phi 5 \times 5000 \text{mm}$
防护等级	Protection Class	IP65
接线方式 Wiring <div style="display: flex; justify-content: center; gap: 20px; margin-top: 10px;"> <div style="display: flex; align-items: center;"> ● +输入 Excitation </div> <div style="display: flex; align-items: center;"> ● -输入 Excitation </div> <div style="display: flex; align-items: center;"> ● +输出 Signal </div> <div style="display: flex; align-items: center;"> ○ -输出 Signal </div> </div>		